

QUICK SETUP GUIDE

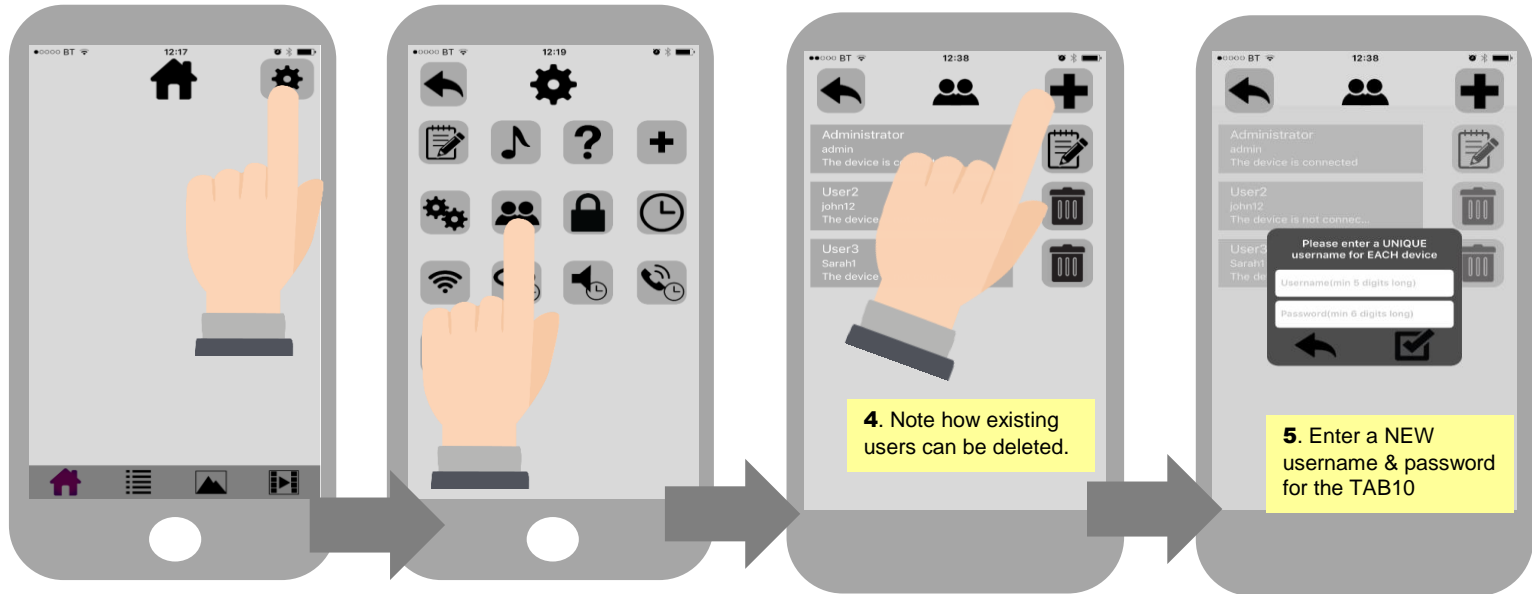
ADMIN DEVICE

1. Assuming the intercom has been installed and an admin user created on the first device, follow the instructions to add the TAB 10.

2. Open the APP on the admin device.



3. Select the setting button on the top right as shown in the diagram.



TAB 10

1. Connect the TAB10 to the same network that your intercom is connected to. This will allow for an easy setup.

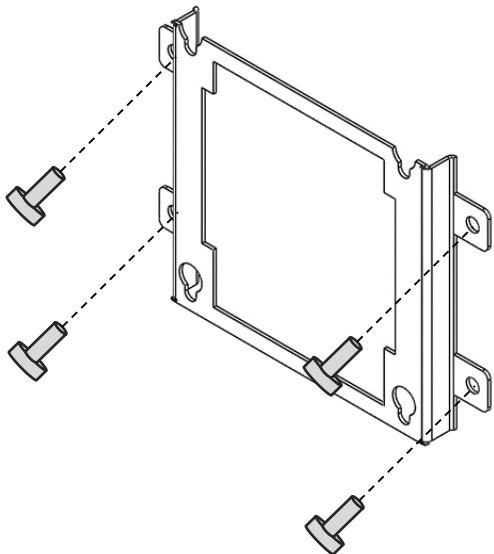
2. Open the app on the TAB10 and select settings, follow the instructions to the right.



Tab 10 Guide

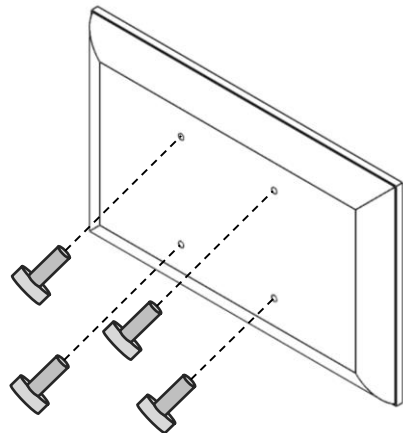
Step 1

1. Screw the bracket shown to the wall as shown.



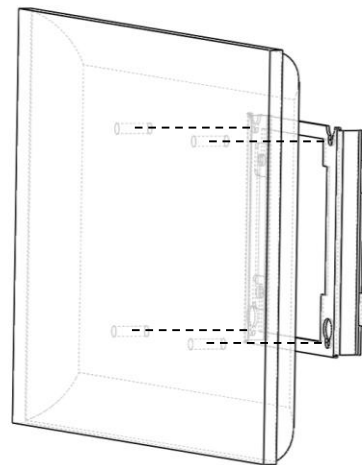
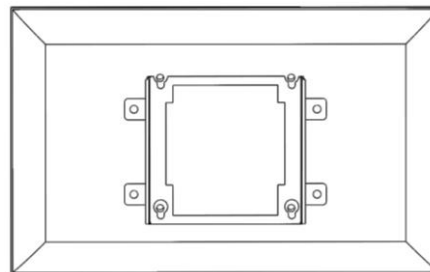
Step 2

2. Screw the screws provided into the back of the monitor leaving a small gap for the TAB10 to slot into the bracket above.



Step 3

Slot the monitor into the bracket on the wall.



Step 4

Power the tablet on with the POE power supply provided.



**Continue
overleaf**



SCAN ME

Download
Intercom full
instructions