

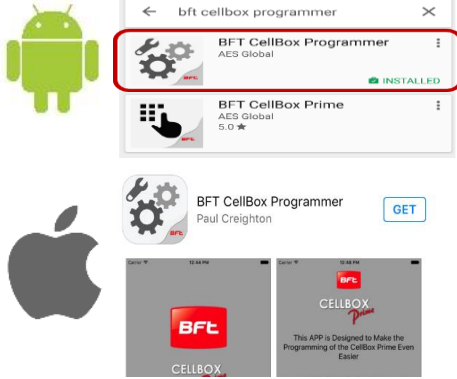


Wiring Keypad/Prox Slaves

Note: Refer to full manual for more information

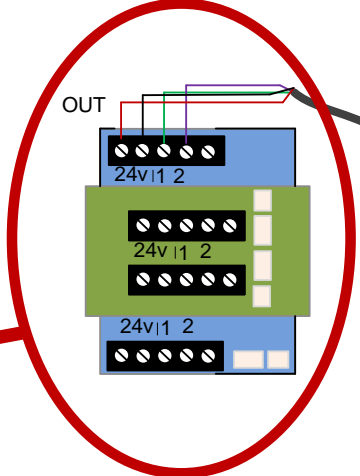
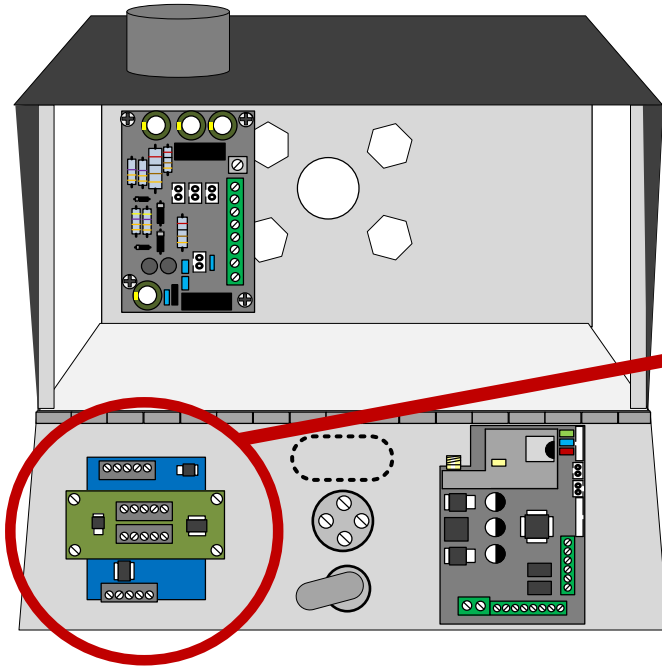
Installing the Programmer APP

Note: Refer to full manual for more information

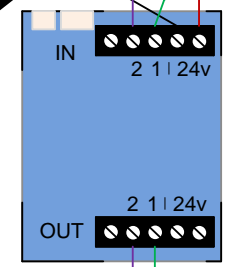
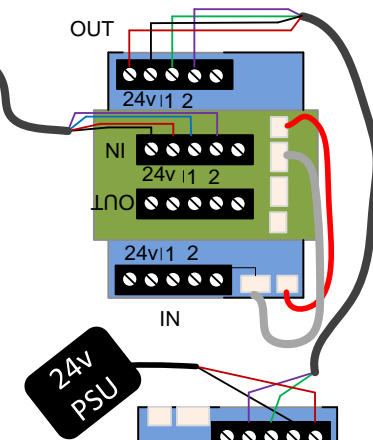


Note: You may notice the app "BFT Cellbox Prime" on the store. This is for the home owner. Installers should install the BFT Cellbox Programmer app.

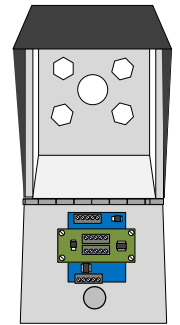
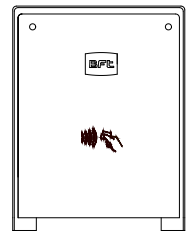
Programmed keycodes and Card will work on all devices



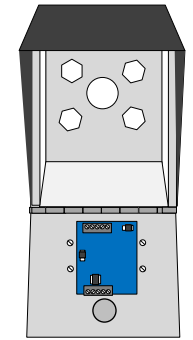
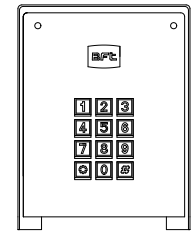
30 Feet or more Power with separate 24v PSU (Optional PSU not included)



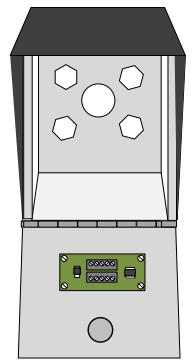
Slave Keypad/Prox



Slave Keypad

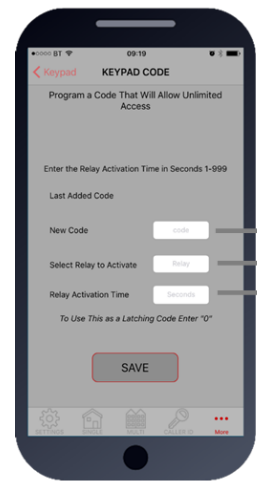


Slave Prox



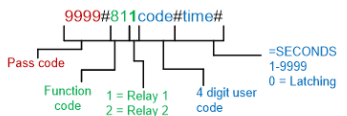
Permanent Keypad Code

Stores up to 200 codes, all of which can be used to gain access 24/7.



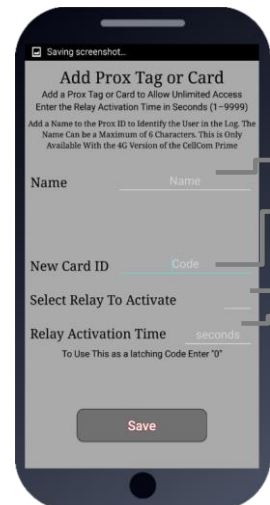
- Enter 4 digit code
- Choose Relay 1 or Relay 2
- Enter activation time. (0-9999 seconds)
Use 1 second for gate trigger.
Use approx. 5 secs for magnetic locks.
Use 0 for latching or toggle code.
Use 3600 secs for 1 hour hold open on gates

SMS String for adding keypad codes:



Permanent Prox card/tag

Add up to 200 cards or tags for RFID access. Note: On 4G version, you may enter a nickname for a card which can be useful when identifying card users later. For 2G and 3G versions, ignore the name field.



- Enter nickname up to 5 digits long.
- Enter the 10 digit card ID number.
- Select relay 1 or 2.
- Enter relay activation time in seconds.

SMS String for adding Prox cards/tags:

